

FIGURE IT-8 -SINGLE SIDE-LOADER RIDER TRUCK

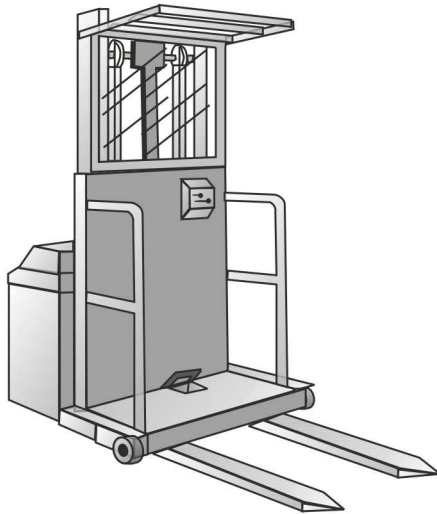


FIGURE IT-9 -ORDER PICKER HIGH LIFT RIDER TRUCK

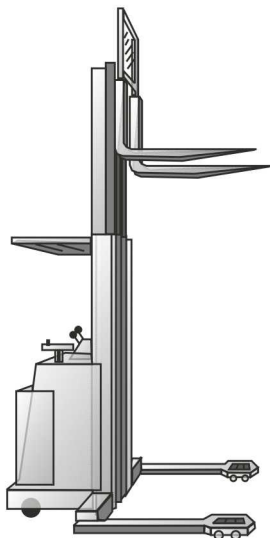


FIGURE IT-10 -NARROW AISLE RIDER TRUCK  
-STRADDLE TRUCK

**§3665 Wheel Guards**

Shop transfer cars, equipment carriages, stock pickers, and similar equipment operating on rails or drawn by chains or cables shall be equipped with wheel guards or bumpers constructed and installed for the purpose of preventing a person's feet being crushed under the wheels. When the body or bed of trucks, carriages, or cars of this type extends over the wheels to the sides and both ends such a distance as will prevent a person's feet being crushed, said equipment shall be considered to be in compliance with this Order.  
NOTE: This Order does not apply to cars used in trains.

**§3666 Haulage Vehicles and Earthmoving Equipment**

(a) **After June 7, 1972 haulage vehicles and earthmoving equipment** such as scrapers, crawler tractors, bulldozers, front-end loaders, motor graders, and similar equipment shall comply with Article 10, Haulage and Earthmoving, of the Construction Safety Orders.

(b) **Bulk Cargo-Moving Vehicles.**

- (1) *Where a seated operator may come into contact with projecting overhangs, crawler-type bulk-cargo-moving vehicles that are rider operated shall be equipped with operator's guards.*
- (2) *Guards and their attachment points shall be so designed as to be able to withstand, without excessive deflection, a load applied horizontally at the operator's shoulder level equal to the drawbar pull of the machine.*

(c) **Trailer-Spotting Tractors.**

- (1) *Trailer-spotting tractors (fifth wheels) shall be fitted with any hand grabs and footing necessary for safe access to the fifth wheel.*
- (2) *Rear cab windows shall be of safety glass or of equivalent material.*

**§3668 Powered Industrial Truck Operator Training**

(a) **Safe Operation.**

- (1) *The employer shall ensure that each powered industrial truck operator is competent to operate a powered industrial truck safely, as demonstrated by the successful completion of the training and evaluation specified in this subsection.*
- (2) *Prior to permitting an employee to operate a powered industrial truck (except for training purposes), the employer shall ensure that each operator has successfully completed the training required by this subsection, except as permitted in subsection (e).*

(b) **Training program implementation.** Trainees may operate a powered industrial truck only:

- (1) *Under the direct supervision of persons who have the knowledge, training and experience to train operators and evaluate their competence; and*
- (2) *Where such operation does not endanger the trainee or other employees.*
- (3) *Training shall consist of a combination of formal instruction (e.g., lecture, discussion, interactive computer learning, video tape, written material), practical training (demonstrations performed by the trainer and practical exercises performed by the trainee), and evaluation of the operator's performance in the workplace.*
- (4) *All operator training and evaluation shall be conducted by persons who have the knowledge, training and experience to train powered industrial truck operators and evaluate their competence.*

(c) **Training program content.** Powered industrial truck operators shall receive initial training in the following topics, except in topics which the employer can demonstrate are not applicable to the safe operation of the truck in the employer's workplace.

- (1) **Truck-related topics:**
  - (A) *Operating instructions, warnings, and precautions for the types of truck the operator will be authorized to operate;*
  - (B) *Differences between the truck and the automobile;*
  - (C) *Truck controls and instrumentation: where they are located, what they do, and how they work;*
  - (D) *Engine or motor operation;*
  - (E) *Steering and maneuvering;*
  - (F) *Visibility (including restrictions due to loading);*
  - (G) *Fork and attachment adaptation, operation, and use limitations;*
  - (H) *Vehicle capacity;*
  - (I) *Vehicle stability;*
  - (J) *Any vehicle inspection and maintenance that the operator will be required to perform;*
  - (K) *Refueling and/or charging and recharging of batteries;*
  - (L) *Operating limitations;*
  - (M) *Any other operating instructions, warnings, or precautions listed in the operator's manual for the types of vehicle that the employee is being trained to operate.*